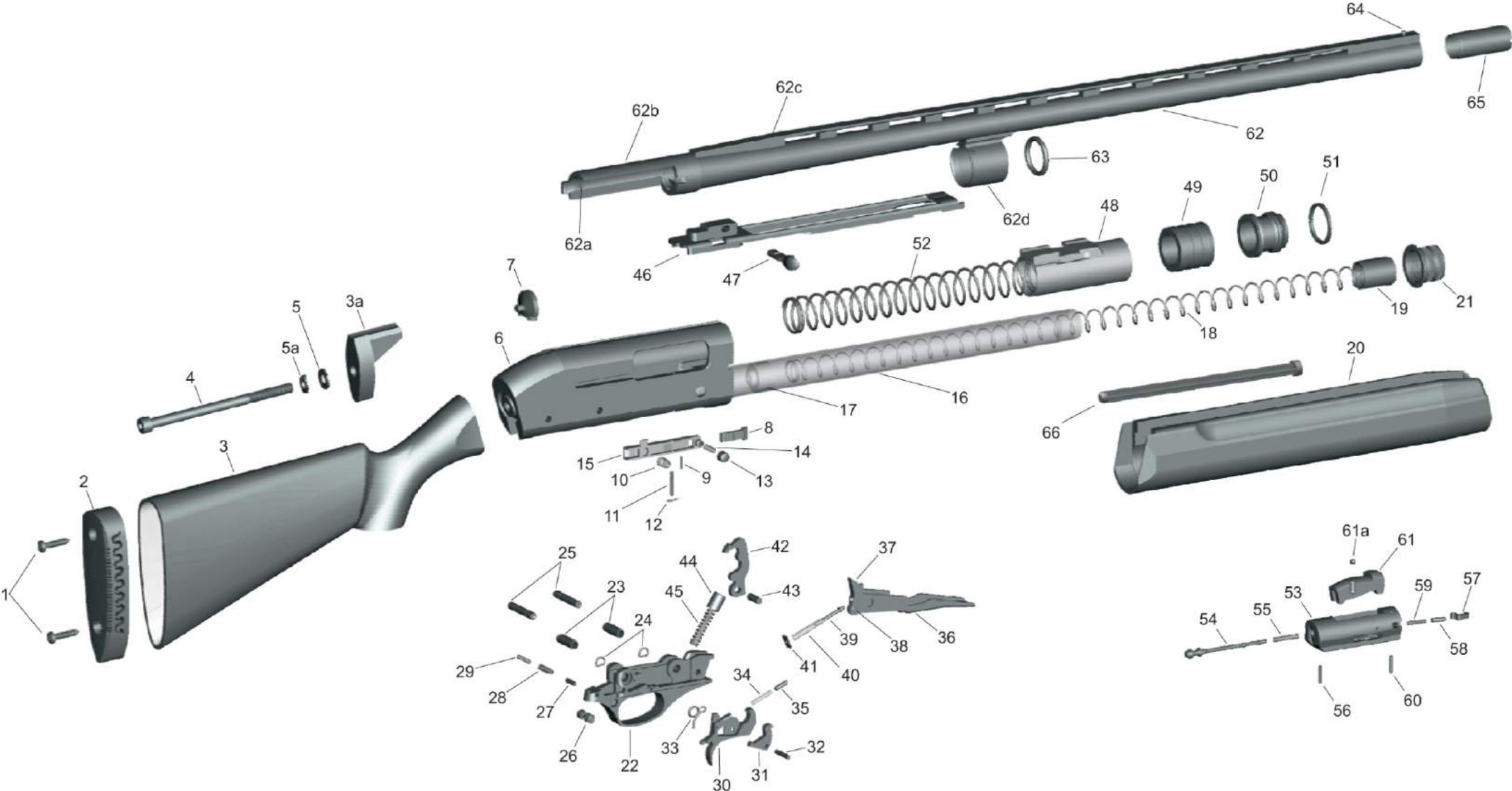


SEMI AUTO MODEL 222 12/20 GA



SEMI AUTO PART PRICE LIST (MODEL 222)

| No | Part Name | USD/Unit |
|-----|--------------------------------------|----------|
| 1 | Recoil Pad Screw (X2) | 0.25 |
| 2 | Recoil Pad | 5.00 |
| 3 | Stock (Synthetic) | 12.00 |
| | Stock (Standart Walnut) | 40.00 |
| | Stock (Select Walnut) | 85.00 |
| 3.a | Stock Inner Frame | 1.25 |
| 4 | Stock Screw | 1.25 |
| 5 | Stock Screw Washer | 0.15 |
| 5.a | Washer Stopper | 0.25 |
| 6 | Receiver (Matte) | 40.00 |
| | Receiver (Polished) | 50.00 |
| 7 | Bolt Recoil Pad | 0.25 |
| 8 | Latch tip | 0.75 |
| 9 | Latch tip pin | 0.50 |
| 10 | Latch Spring | 0.25 |
| 11 | Latch Pin | 0.50 |
| 12 | Latch Pin Detent Spring | 0.25 |
| 13 | Action Release Button | 1.25 |
| 14 | Action Release Button Spring | 0.25 |
| 15 | Latch | 3.00 |
| 16 | Magazine Tube | 10.00 |
| 17 | Magazine Follower | 0.65 |
| 18 | Magazine Spring | 0.90 |
| 19 | Magazine Spring Retainer | 0.65 |
| 20 | Forend (Synthetic) | 8.00 |
| | Forend (Standard walnut) | 20.00 |
| | Forend (Select Walnut) | 20.00 |
| 21 | Magazine Cap | 3.75 |
| 22 | Trigger Plate | 2.25 |
| 23 | Trigger Plate Pin Bushing (X2) | 0.85 |
| 24 | Trigger Plate Pin Detent Spring (X2) | 0.25 |
| 25 | Trigger Plate Pin (X2) | 0.65 |
| 26 | Safety Button | 1.85 |
| 27 | Safety Button Detent Pin | 0.65 |
| 28 | Safety Button Spring | 0.25 |
| 29 | Safety Spring Retaining Pin | 0.25 |
| 30 | Trigger | 3.75 |
| 31 | Trigger Sear | 2.50 |
| 32 | Trigger Pin | 0.50 |
| 33 | Trigger Spring | 0.25 |
| 34 | Trigger Sear Detent Spring | 0.25 |
| 35 | Trigger Sear Detent Pin | 0.65 |

| No | Part Name | USD/Unit |
|-----|---|----------|
| 36 | Carrier | 4.40 |
| 37 | Carrier Dog | 3.20 |
| 38 | Carrier Dog Pin | 0.40 |
| 39 | Carrier Dog Follower | 0.65 |
| 40 | Carrier Dog Follower Spring | 0.25 |
| 41 | Carrier Dog Follower Plate | 0.25 |
| 42 | Hammer | 2.25 |
| 43 | Hammer Pin | 0.50 |
| 44 | Hammer Plunger | 0.90 |
| 45 | Hammer Spring | 0.40 |
| 46 | Action Bar | 12.00 |
| 47 | Bolt Handle | 3.20 |
| 48 | Action Bar Sleeve | 10.00 |
| 49 | Piston Buffer | 2.20 |
| 50 | Piston | 5.00 |
| 51 | Piston Seal | 1.50 |
| 52 | Action Spring | 1.25 |
| 53 | Breech Bolt | 15.00 |
| 54 | Firing Pin | 2.00 |
| 55 | Firing Pin Spring | 0.25 |
| 56 | Firing Pin Retaining Pin | 0.40 |
| 57 | Extractor | 1.25 |
| 58 | Extractor Plunger | 0.40 |
| 59 | Extractor Spring | 0.20 |
| 60 | Extractor Pin | 0.40 |
| 61 | Locking Block | 5.00 |
| 61a | Detent ball | 0.25 |
| 62 | Barrel Assembly (Matte) | 85.00 |
| | Barrel Assembly (Polished) | 95.00 |
| 63 | O ring | 0.75 |
| 64 | Bead sight | 0.50 |
| 65 | Internal Mobile Choke Tube | 8.00 |
| | External Mobile Choke Tube | 10.00 |
| | XXF turkey Mobile Choke Tube | 12.00 |
| 66 | Magazine Capacity Plug | 1.25 |
| | Fiber optic sight | 3.75 |
| | Barrel extension 10cm black | 12.00 |
| | Sling Swivel set | 6.50 |
| | Choke tube wrench | 1.25 |
| | Shim set (5pcs) | 3.00 |
| | Stock Assembly & Forend (Synthetic) | 28.15 |
| | Stock Assembly & Forend (Standard Walnut) | 66.90 |
| | Stock Assembly & Forend (Select Walnut) | 111.90 |
| | Trigger Assembly | 28.10 |
| | Breech Bolt Assembly | 25.15 |